

Ultrasonic Sensor

External space light
In-wall mounting

High Flexibility

- Very low construction height, therefore also usable in parking garages with very low ceilings
- Invisible cabling

Modern Design

- Optionally, all standard RAL colors are available for the housing
- Visually flexible and inexpensive

Save Time & Money

- Very fast installation thanks to tool-less connectors and tool-free locking

Low costs

- New sophisticated system structure
Extremely low power consumption, due to modern electronic design



We are very proud to be able to present to you the newest generation of parking guidance systems. Continuous further developments and the use of state-of-the-art components have made it possible to drastically reduce power consumption, and thus also the operating costs. Compared to other systems on the market, the saving is significant.

The electronic design has been developed for long life and can be operated within a very large voltage range, which makes it possible to supply many sensors by a single power supply. The large working range allows the system to be used in low as well as high parking garages.

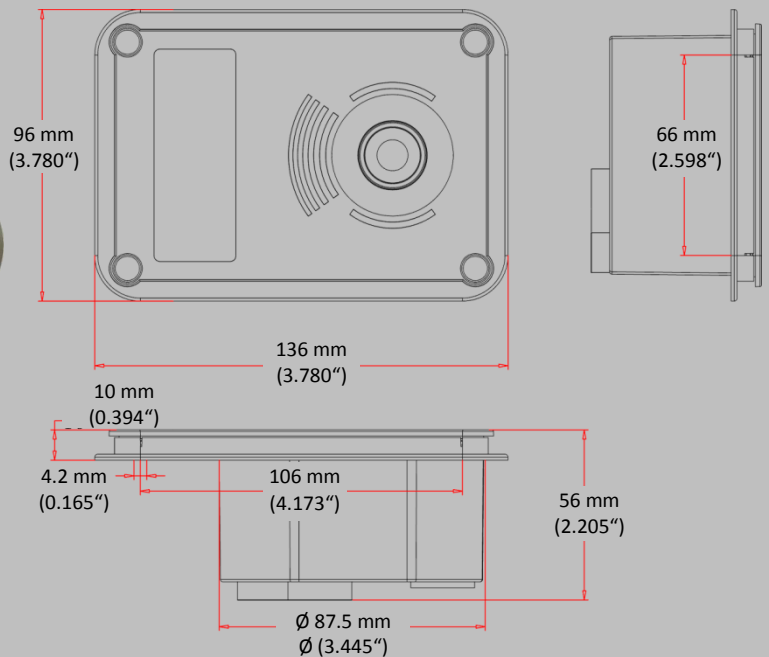
The innovative housing is not only dust-proof and water-proof (IP65), but it also features a locking that is made completely tool-less and screw-less by the Snap System.

Probably the most innovative, compact and reliable system on the market.

In this version, the installation is almost flush with the ceiling!

FRITZ

TECHNICAL DATA



Properties

- Light gray ABS plastic, similar to RAL 9002, halogen-free
- Measuring range approx. 0,5 to 4 meters (19.635 to 157.480")
- Power consumption 15 mA at 24 VDC
- Weight 115 g (0.253 lbs) incl. cable seals
- The sensor sound is completely within the ultrasonic range and can therefore not be perceived by human beings.
- Stand-alone operation: once powered up, the sensor with the space light can work independently, supplied by the supply voltage only
- An optional "Slave Sensor" can also be controlled independent of the central processing unit via the data concentrator.
- Firmware easily upgradeable via CCU
- Maintenance-free

Options

- For over-wide parking spaces, a „Slave Sensor“ can be used
- Optionally available as shielded version, but even the standard version features increased high frequency radiation proofness.
- Also available as surface mounted version
- Available in every standard RAL color at a small extra charge

Technical Summary

Dimensions	120x80x36.5mm (4.724x3.149x1.437"), incl. cable seals & cover: 126.5x92.5x36.5mm (4.980x3.622x1.473")
Weight	115 g (0.253 lbs) incl. cable seals
Power consumption	15 mA at 24 VDC, supply voltage 19 – 40 VDC,
Temperature range	-35°C (-31°F) to +60°C (140°F) / max. 90% humidity (noncondensing)
Color	similar to RAL 9002, all standard RAL colors are optionally available